



# Data sheet

## Convention Centre

# Convention Centre

	Size in m <sup>2</sup>	Capacity	Hall height m	Toilet facilities
Hall	300	/	3,20	n. 8
L. Maschiella Hall	634	400/500	4,80	n. 8
Europa Hall	181	140	3,30	n. 5
Hall A	66	50	3,00	n. 8

The Convention Centre is located within the Umbriafiery trade fair district.

## Technical services provided:

- > Sound system
- > Microphones
- > Projection equipment
- > Direction
- > Wi-Fi
- > Ethernet network

The facility is further equipped with a Bar/Cafeteria and Cloakroom.

Pavilions can be modulated and set up in accordance with specific needs.

# Trade Fair District Services

## Services provided to third-party organisers and/or exhibitors

- > Organisational secretariat and logistics
- > Security technical service
- > Medical and ambulance service
- > Electrical facilities management and guard services
- > Stand set-up services
- > Cleaning service
- > Posters and signage service
- > Hire of IT, audio, video and lighting equipment
- > Promotion and assistant service
- > Security services

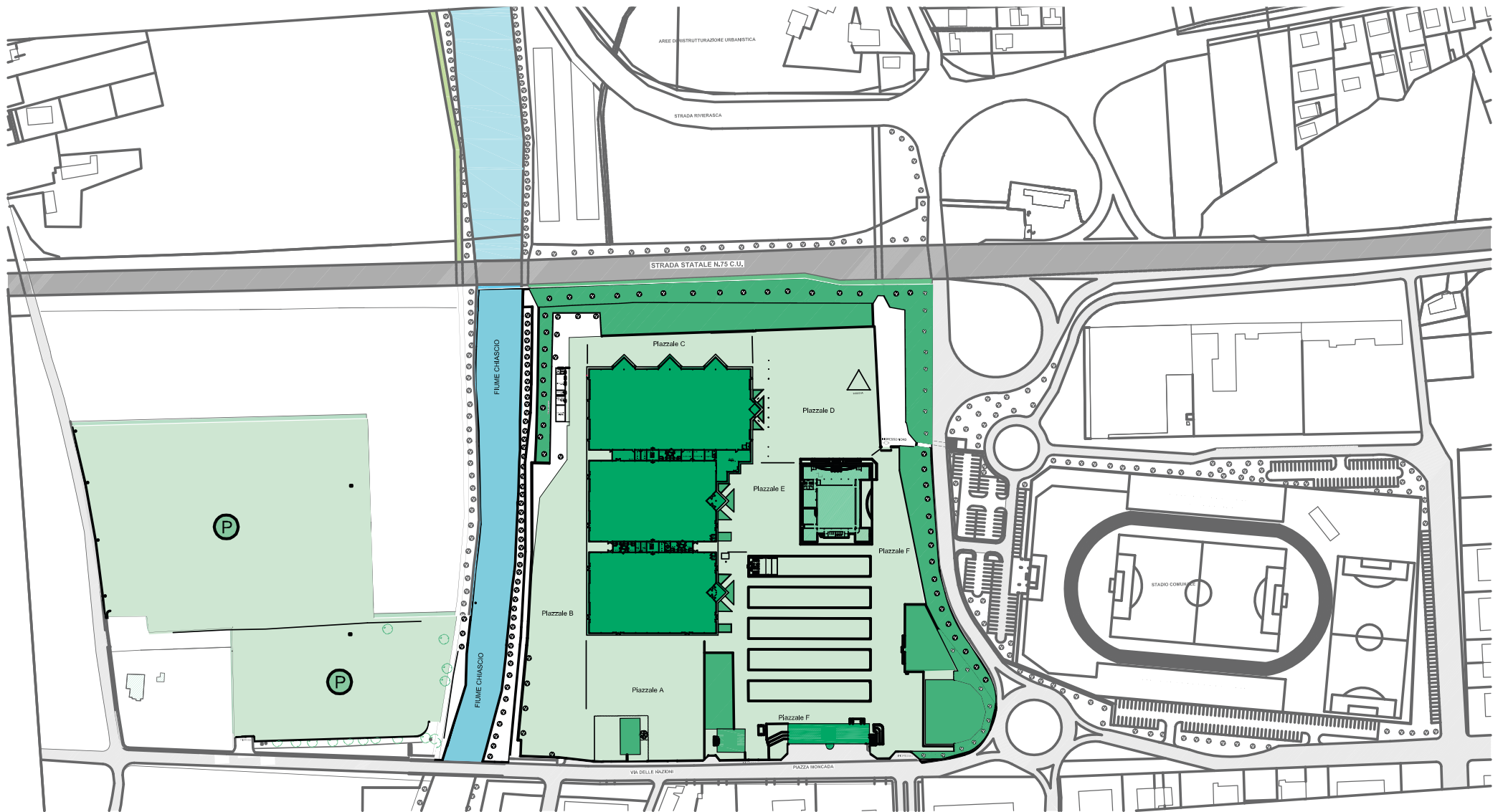
## General logistics services

- > Bar
- > Newsagent
- > Self-service diner
- > Information secretariat
- > ATM

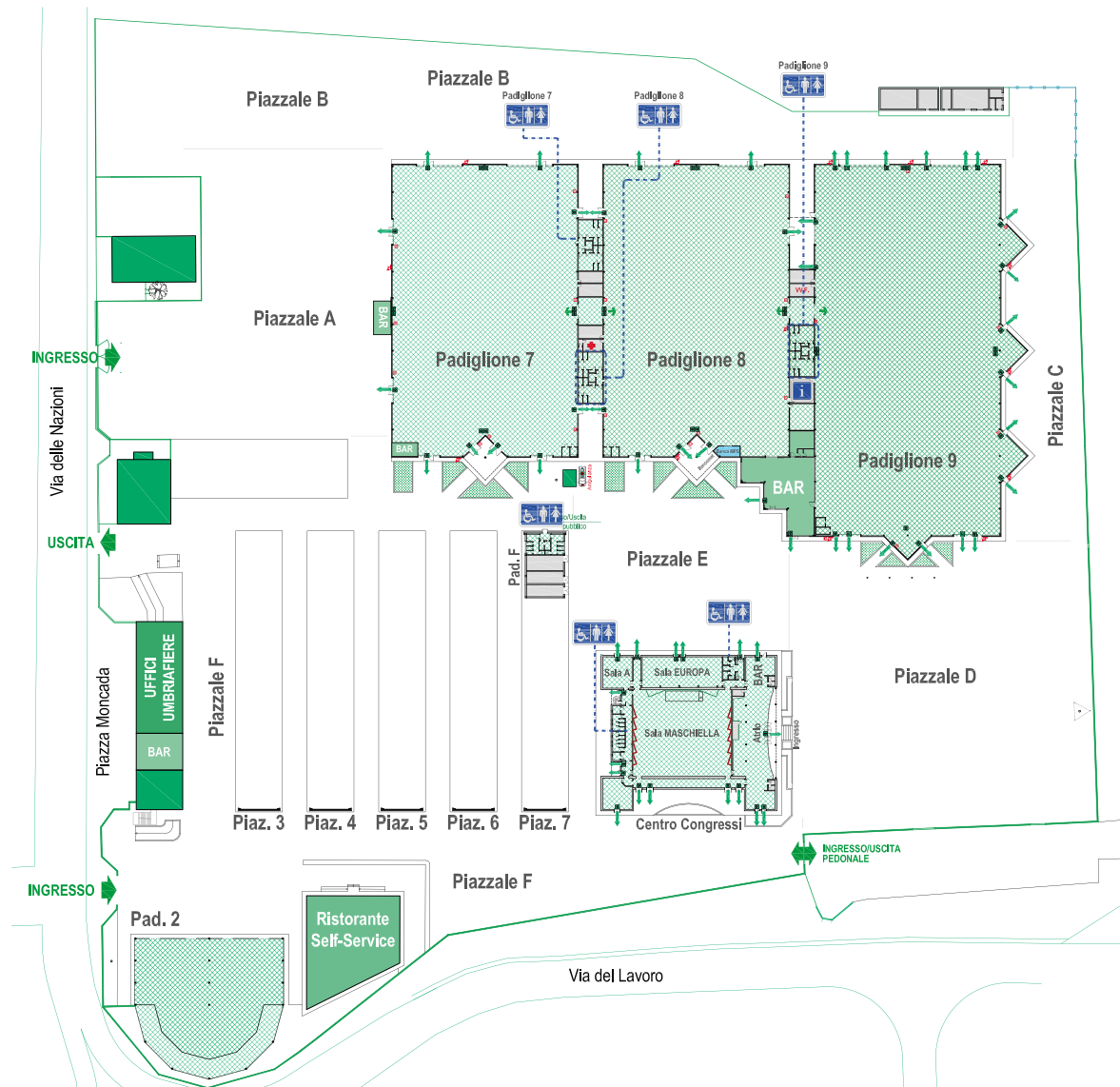
# Trade Fair District Technical Regulations

This document issued by Umbriafiore SpA as Manager of the Exhibition Centre outlines the general obligations and prohibitions, in particular for set-ups, dismantling and technological installations, as well as special provisions concerning the environment, prevention, waste management and insurance obligations.

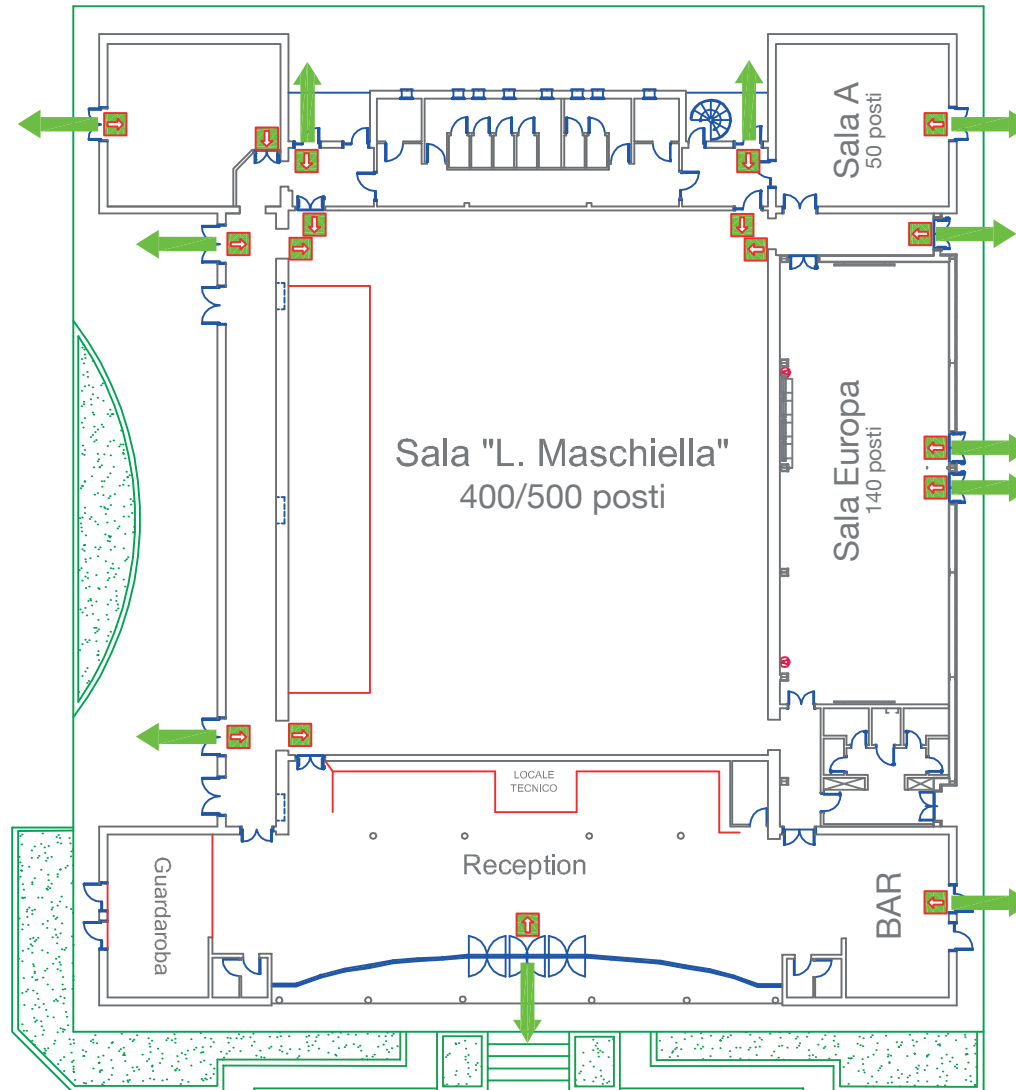
[!\[\]\(e474458956c9a37fbf9586ddb60a7fa1\_img.jpg\) Download the District Technical Regulations](#)



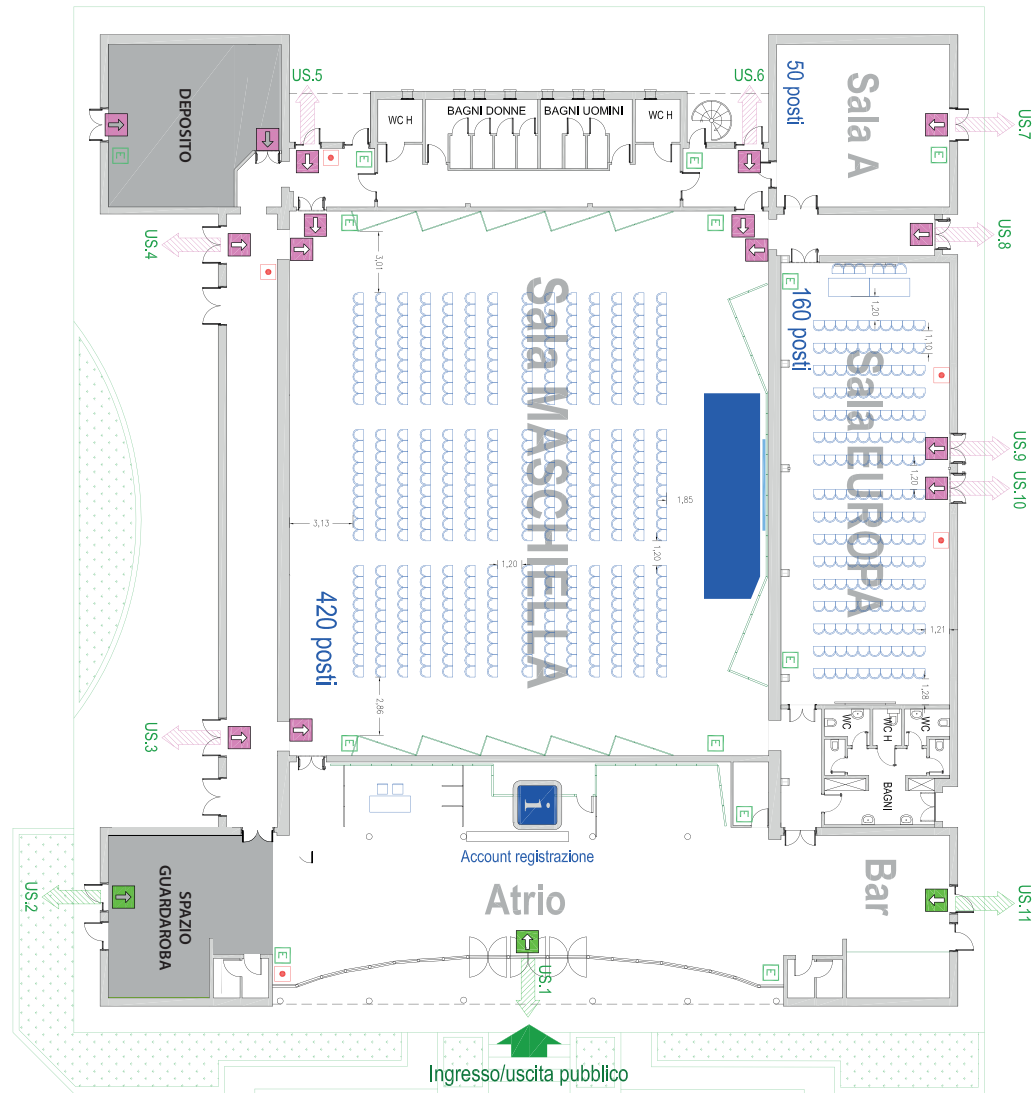
Territorial plan of the Exhibition Centre



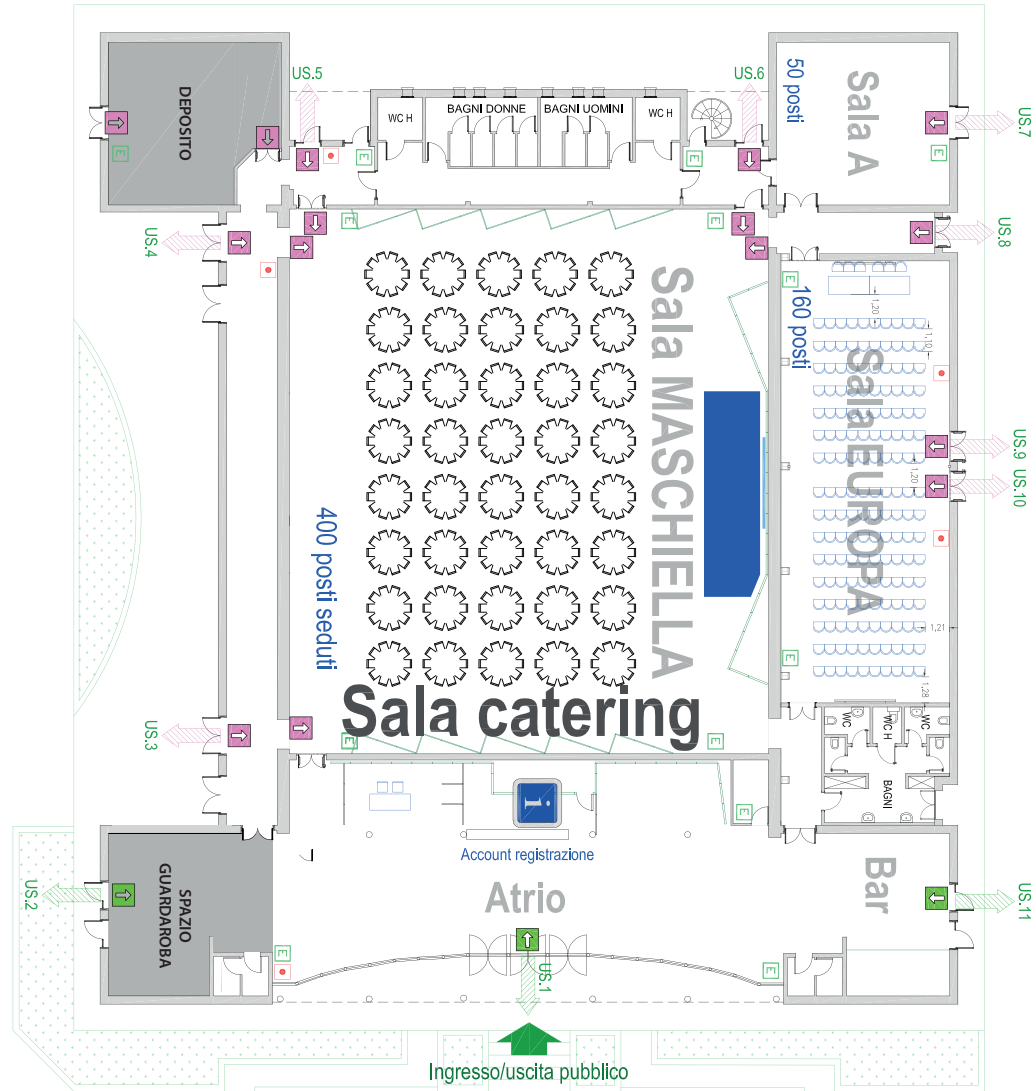
General plan of the Exhibition Centre



Plan of the Convention Centre



Convention Centre - Examples of use



Convention Centre - Examples of use





Convention Centre



Convention Centre